



Precision Depositors



HLB138 - B
Single High Level Depositor





Precision Depositors

FEATURES

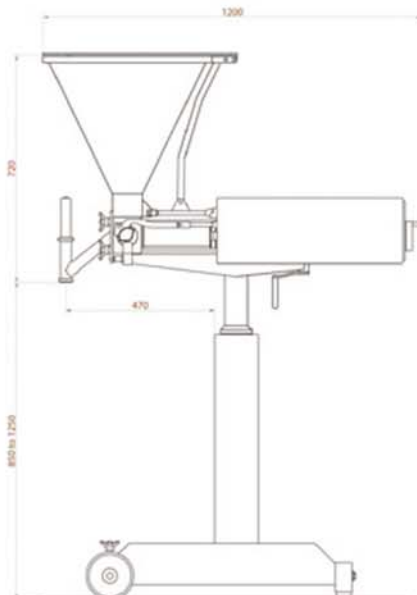
The Dimension range is precision engineered, with many unique features which eliminate the old issues of reliability, accuracy, performance and safety. To this end Steck's new Dimension range has addressed the issues with features that include:

- Steck 'Unity' Safety System
- Intelligent 'MinAir' System
- Reduction in power consumption
- Improved depositor accuracy
- Improved noise reduction levels
- Reduction in product contact parts
- Patented 'Steck-Link' valve drive System
- Fully isolated Push On/Push Off air system
- Increased power capabilities
- Fully modular 'cassette' engine design for ease of maintenance
- Fully IP65 sealed pneumatics for protection from the cleaning environment
- Steck pilot-less air circuit (inc. safety circuit)

TECHNICAL DATA

PERFORMANCE DATA

Maximum supply pressure 10 Bar
Minimum supply pressure 4 Bar
Power cylinder bore 80 mm
Power cylinder stroke (max) 150mm
Power cylinder stroke (min) 10 mm
Stroke repeatability 0.03%
Maximum depositing energy 450 J (6 Bar supply)
Maximum depositing force 3015N (6 Bar supply)
Maximum speed at full stroke 70 (strokes/min)
Maximum speed at min stroke 240 (strokes/min)
SPR (Suction Pressure Regulation) 0-4 Bar
Maximum air consumption 14 cfm
Typical air consumption 6.5 cfm



APPLICATIONS

The Dimension range of depositors from Steck are capable of handling the widest range of products from water to high viscosity particulated products, and find highly successful applications in the following industries:

- Dairy
- Chocolate & Confectionery
- Biscuit & Bakery
- Sandwich
- Pharmaceutical & Healthcare
- Personal, Household & Industrial
- Pizza
- Ready Meals

SAFETY SPECIFICATION

- Steck 'Unity' single valve Safety System
- Push-on/Push-off main air supply
- Zero Stored Energy in tripped mode
- Hopper and Hopper lid locking

ENGINE SPECIFICATION

- Pilot-less depositing engine with IVA, Vari-volume and SPR technology
- 'Metered in' Air system
- Fully interlocked valve and deposit action
- '2 x 5/2' valving with optional duplicate 5/2 for nozzle

PRODUCT VALVE SPECIFICATION

- Internally chromed and ground 316L Block
- Ground 316L valve with 'Steck-Link' Drive
- Sealing with 2 x Quad Ring seals
- 32mm dia maximum particulate
- Max 'no leak' pressure (air) 30 Bar
- Min 'no leak' pressure (air) 750mm hg vacuum
- Max suction (gp nozzle) 380mm hg
- Typical priming capability (suction mode) 2500mm lift

PRODUCT CYLINDERS & PISTONS

- 2", 3" or 4.5" interchangeable 316L stainless steel
- Polyurethane seals and two piece piston
- NAB gudgeon pin fixing

Our Contact Details

Address
Steck Depositors Ltd,
Unit 3A Pembley Green,
Cophorne Common Rd,
Cophorne,
West Sussex,
RH10 3LF.

Tel: 01293 873439

Email: sales@steckdepositors.com